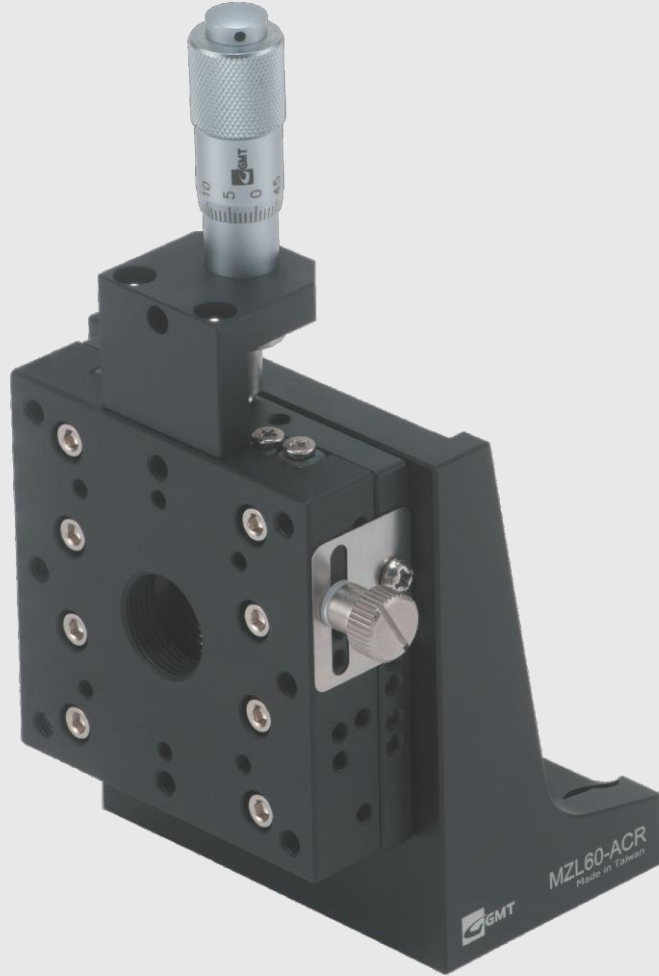


Crossed Roller Guiding ▶ Z-Axis ▶ Aluminum Alloy

Crossed Roller Stages | Z-Axis

MZL60-ACR



Unit : mm

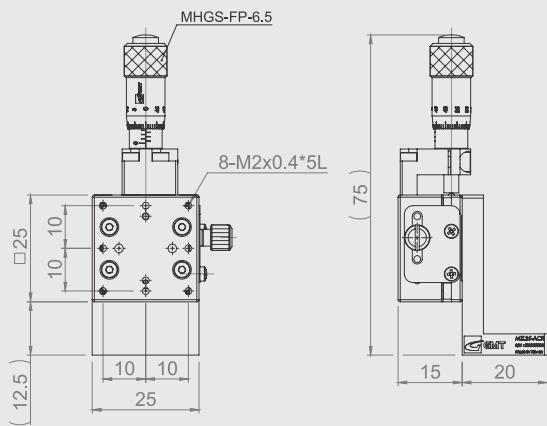
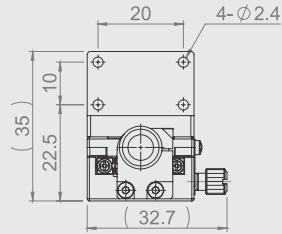
Model No.	Table Size	Travel Distance	Micrometer Minimum Reading (μm)	Movement Accuracy			Allowable Loading (kgf)	Weight (kg)	Material	Surface Finish
				Straightness (μm)	Pitching	Yawing				
MZL25-ACR	25*25	± 3.2	10	3	25"	15"	0.5	0.06	Aluminum alloy	Black anodized
MZL40-ACR	40*40	± 6.5					1.0	0.2		
MZL60-ACR	60*60						2.0	0.45		
MZL80-ACR	80*80	± 12.5					5.0	0.8		

★ Brackets spec for Z-axis, refer to P.0195 ~ P.0196

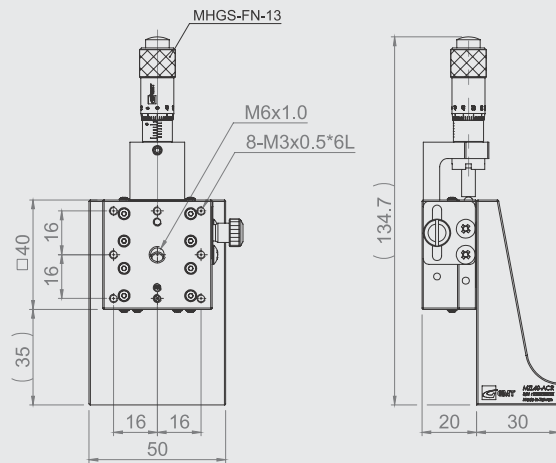
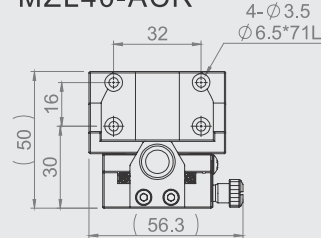
Crossed Roller Guiding ► Z-Axis ► Aluminum Alloy

Crossed Roller Stages | Z-Axis

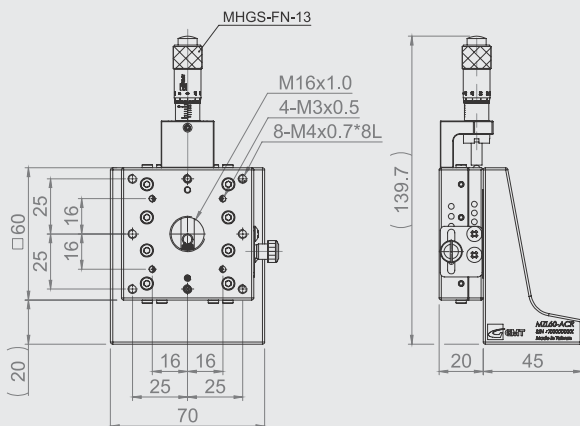
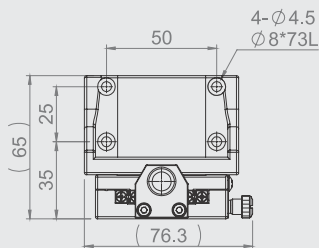
MZL25-ACR



MZL40-ACR



MZL60-ACR



MZL80-ACR

